

PIPE SUPPORTS.

SPHERICAL WASHER PLATE

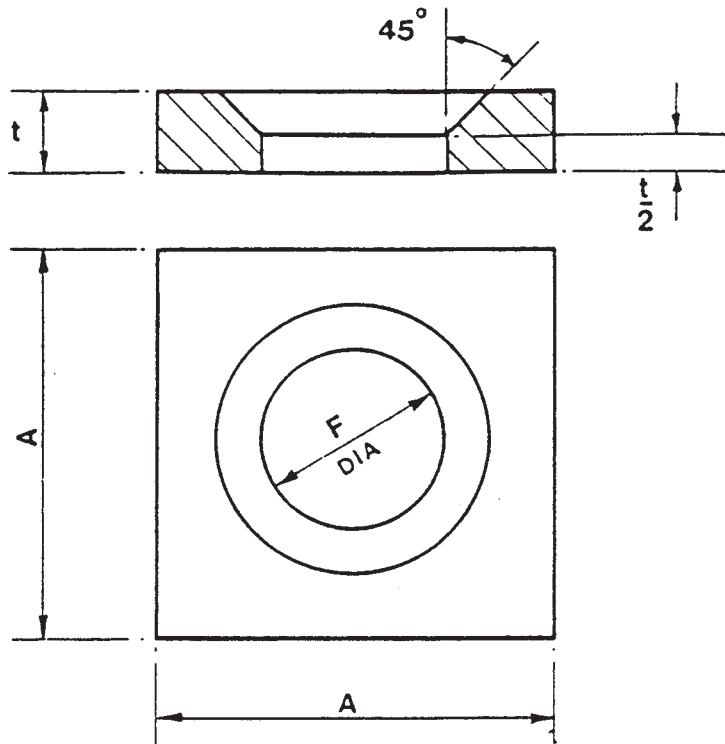
Materials;

To BS 4360 Gr. 43A or

BS 1501-151 Gr.26B

For use with Drop Rod and
Clip Assemblies.

SLING ROD DIA	A mm	F DIA mm	THKNS t mm
12	40	18	10
16	40	22	10
20	50	30	10
24	60	33	10
30	70	43	15
36	80	48	20
42	80	56	20



To order this standard
Quote Washer Plate and Dia.

PIPE SUPPORTS.

SPHERICAL WASHER.

Materials;

Whiteheart Mall.Iron to BS 309.

Blackheart Mall.Iron to BS 310.

BS 4360 Gr. 43A.

To order this standard Quote
Spherical Washer and Dia.

ALL DIMENSIONS IN MILLIMETRES

SLING ROD DIA	A DIA	B DIA	C	R RAD	APPROX WEIGHT kg
12	15	30	13	15	0.08
16	19	38	16	19	0.14
20	24	48	21	24	0.32
24	28	56	24	28	0.48
30	35	70	30	35	0.9
36	42	84	36	42	1.6
42	48	96	42	48	2.3

