

PIPE SUPPORTS.

SLING ROD CAGE...CARBON STEEL...FOR R.S.JOISTS.

GENERALLY TO BS 3974 Pt. 2.

Materials;

Cage & Joist Clips to BS 4360 Gr 43A.

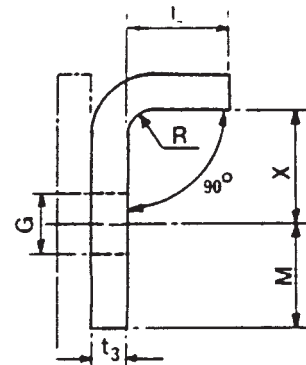
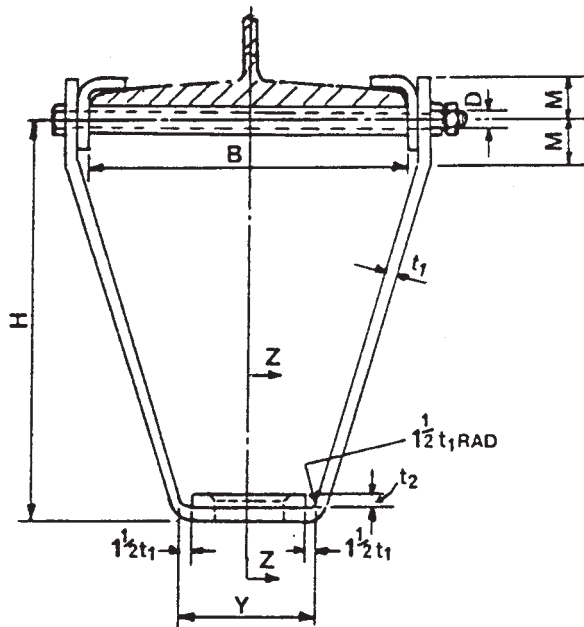
Metric Bolts to BS 4190 Gr 4.

Metric Nuts to BS 4190 Gr 4.

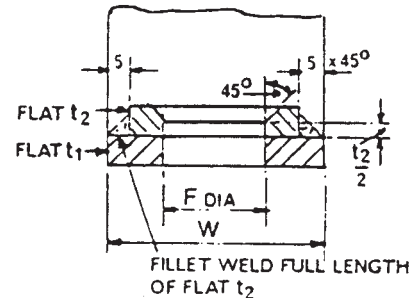
Distance Piece to BS 1387 Med.

To order this standard Quote Joist Cage/Rod Dia./Dim. B.

B = NOM JOIST FLANGE WIDTH & LENGTH OF DISTANCE PIECE



DETAIL OF JOIST CLIP



FILLET WELD FULL LENGTH OF FLAT t₂

SECTION Z - Z

LOCKNUTS MAY BE NORMAL OR THIN NUTS

ALL DIMENSIONS IN MILLIMETRES UNLESS OTHERWISE STATED

SLING ROD DIA	W FOR CLIPS & FLAT	THICKNESS			H	Y	L	M	X	R	HOLE DIA F	BOLT DIA D	BOLT HOLE DIA G	MIN. THROUGH-BOLT LENGTH	DIST. PIECE NOM SIZE	APPROX WEIGHT kg	SAFE WORK'G LOAD kg
		t ₁	t ₂	t ₃													
12	45	8	8	10	170	55	20	25	25	6	18	M12	14	B+60	1/2	3	530
16	45	10	10	10	180	70	20	30	27	6	22	M16	18	B+70	3/4	4	1010
20	60	15	10	15	200	90	25	30	30	6	30	M20	22	B+95	3/4	7	1580
24	80	15	10	15	210	95	25	40	33	6	33	M24	26	B+100	1	9	2280
30	90	15	15	20	240	115	25	50	35	6	43	M30	33	B+120	1 1/4	12	3650
36	100	20	20	25	275	140	30	65	38	9	48	M36	39	B+150	1 1/2	19	5340
42	130	25	25	25	305	165	30	75	42	9	56	M42	45	B+170	2	31	7400