



Engineering

STANDARD SHEET

ISSUE No 5

September 1992

Page 1 of 1

08

1036

PIPE SUPPORTS

SPENCO CANTILEVER BEAM CLIP LIGHT AND HEAVY SERIES

GENERAL REFERENCES

Cantilever support member

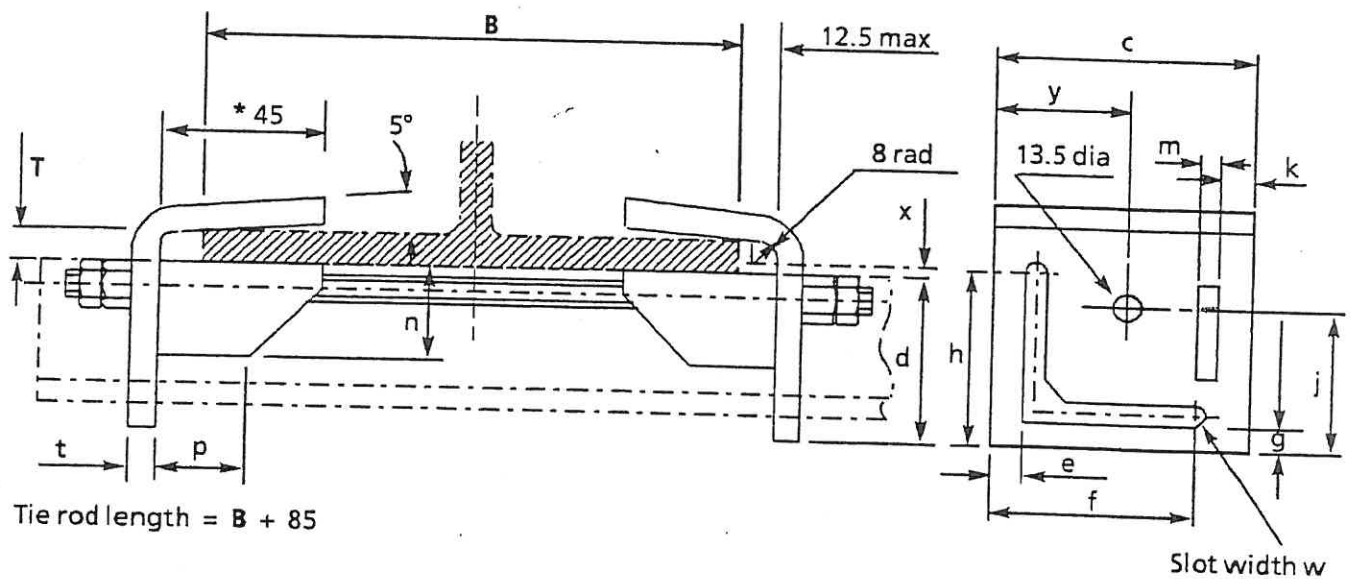
08 1034
08 1035

SPECIFICATIONS

Beam clips: Carbon steel to BS EN 10 025 Grade Fe 430A or BS 1501 - 151 Grade 400B
Tie rod: Carbon steel to BS 4360 Grade 43A
ISO Metric threads to BS 3643: Part 2 Class 8 g
Nuts ISO Metric to BS 4190 Grade 4
Beam clips: Hot dip galvanised to BS 729
Nuts and bolts zinc electroplated to BS 3382: Part 2

All dimensions in millimetres unless otherwise stated.

NOTE: Patents are pending for components shown on this standard, therefore orders are to be placed only with W M Spence (Engineers) Ltd, Ingleby Road, Bradford, West Yorkshire.



Tie rod length = B + 85

* NOTE: For B = 76 and 89 reduce this dimension to 35.

	t	ROD DIA	c	d	e	f	g	h	j	k	m	n	p	w	y
LIGHT SERIES	6	12	70	55	12.5	52.5	15	55	47	12.5	6	30	19	8	37
HEAVY SERIES	8	12	100	80	19	79	20	80	70	20	8	45	8	10	50

BEAM THICKNESS T	x	LIGHT SERIES			HEAVY SERIES		
		CODE Q	WEIGHT kg	REF No	CODE Q	WEIGHT kg	REF No
5 to 9.9	-2.5	L1	1		H1	2	
10 to 14.9	2.5	L2	1		H2	2	
15 to 19.9	7.5	L3	1		H3	2	
20 to 24.9	12.5	L4	1		H4	2	
25 to 30	17.5	L5	1		H5	2	

This document will only be kept up to date when issued to the holder of a registered copy.